

Garageflex Assembly Instructions

Product: Hobby / Sports Centre FX2010E



Package Contents:

- 7 x Round Tubes
- 1 x Hanging Bracket
- 2 x Side Panels
- 2 x Square Tubing
- 1 x Canvas Bag
- 1 x Shelf
- 8 x Hanger Hooks
- 1 x Holder Base
- 1 x Stick Holder
- 18 x Screws

The logo for Garageflex, featuring the word "Garageflex" in a bold, black, sans-serif font. The letter "G" is stylized with an orange outline that forms a roof-like shape above it. The letter "x" has a horizontal orange line through its middle.

Unit 11 Westfield Farm
Medmenham
Buckinghamshire
SL7 2TA

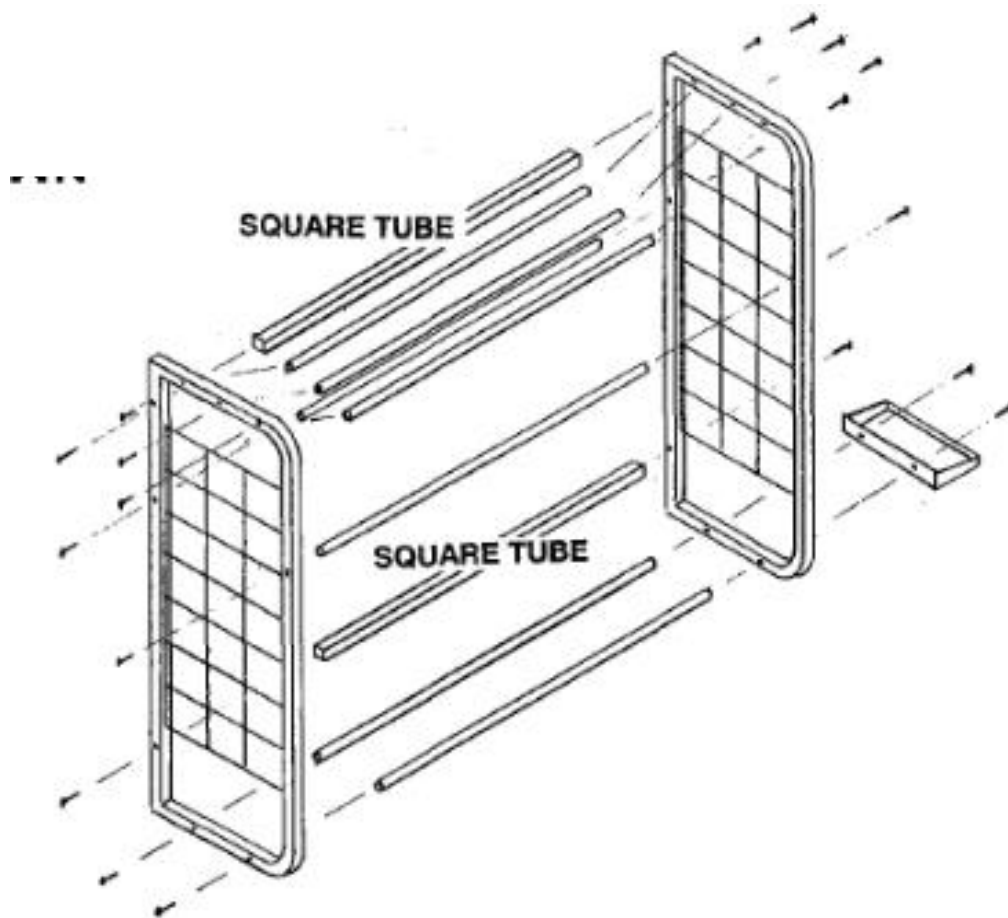
01491 579975 | info@garageflex.co.uk
www.garageflex.co.uk

Tools Required:

- Drill
- Phillips Bit

Step 1: Check all parts have been received

Step 2: Using the supplied screws, assemble the 7 round tubes and the 2 square tubes as shown below.



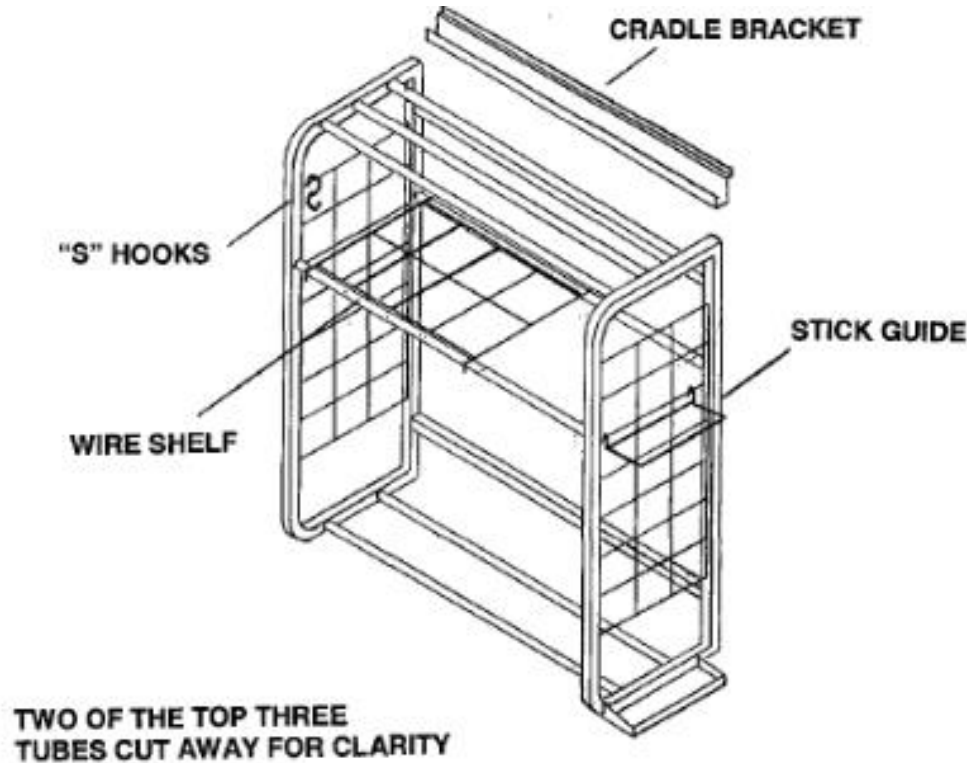
Unit 11 Westfield Farm
Medmenham
Buckinghamshire
SL7 2TA

01491 579975 | info@garageflex.co.uk
www.garageflex.co.uk

Step 3: Fasten the bottom tray on the lower right hand side

Step 4: Position the middle wire shelf with the "S" hooks and the stick guide on the rack

Step 5: Put the mounting bracket onto the FlexiPanel



Step 6: Position and snap the yellow canvas bag over the middle round tubes

Step 7: Lift the rack and place the top square tube in the wall mounted bracket.

If you have any questions or need some advice regarding your installation, please do get in touch and we will do our best to help.



Unit 11 Westfield Farm
Medmenham
Buckinghamshire
SL7 2TA

01491 579975 | info@garageflex.co.uk
www.garageflex.co.uk

You can contact us on:

01491 579975 | info@garageflex.co.uk
www.garageflex.co.uk



Unit 11 Westfield Farm
Medmenham
Buckinghamshire
SL7 2TA

01491 579975 | info@garageflex.co.uk
www.garageflex.co.uk